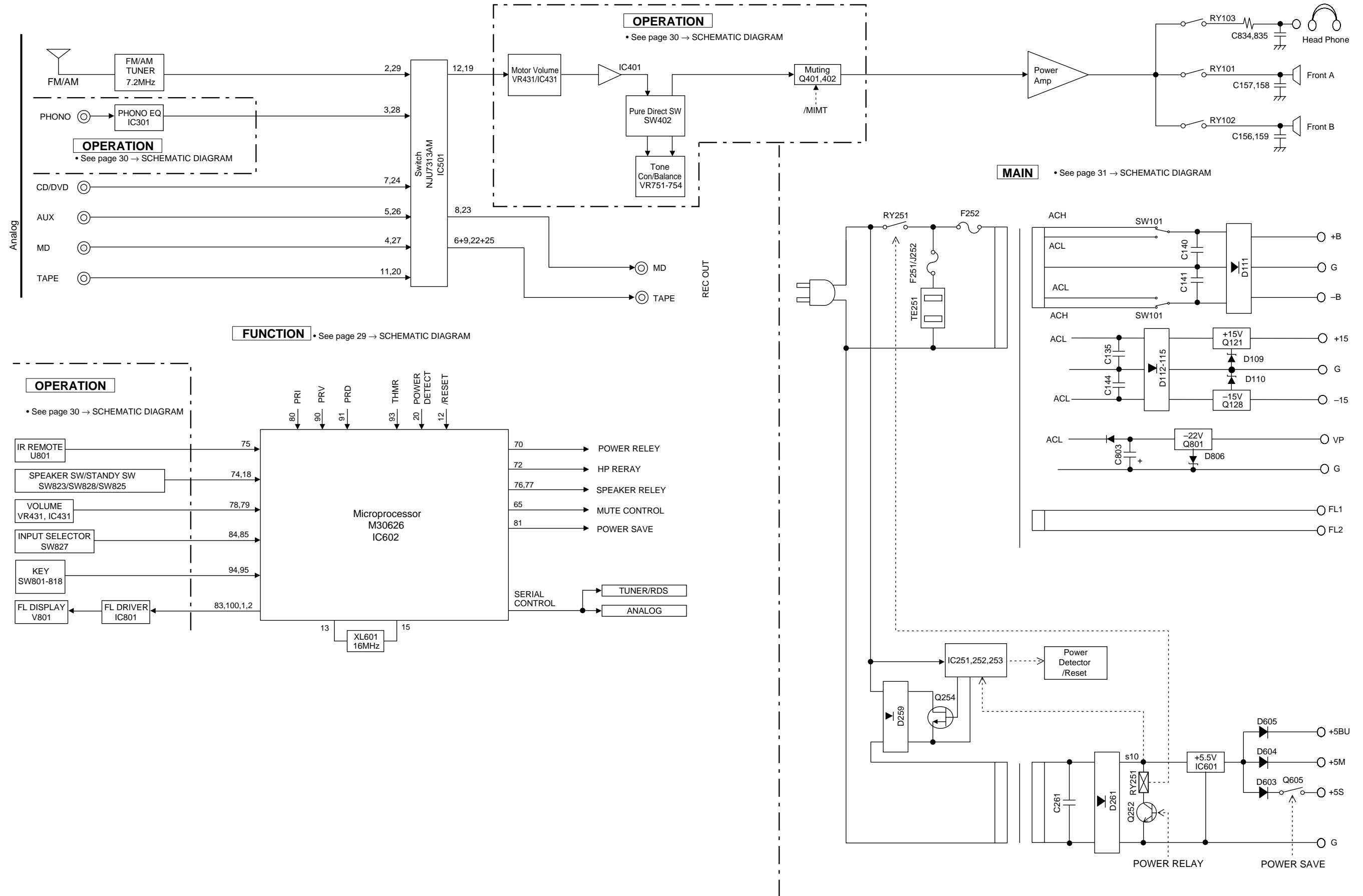


■ BLOCK DIAGRAM



SCHEMATIC DIAGRAM (FUNCTION)

NOTICE (mode1)  
 (J)..... JAPAN  
 (U)..... U.S.A  
 (C)..... CANADA  
 (R)..... GENERAL  
 (T)..... CHINA  
 (K)..... KOREA  
 (A)..... AUSTRALIA  
 (B)..... BRITISH  
 (G)..... EUROPE  
 (L)..... SINGAPORE  
 (E)..... SOUTH EUROPE  
 (V)..... TAIWAN

RESISTOR

REMARKS	PARTS NAME
NO MARK	CARBON FILM RESISTOR (P=5)
□	CARBON FILM RESISTOR (P=10)
△	METAL OXIDE FILM RESISTOR
▲	METAL FILM RESISTOR
■	METAL PLATE RESISTOR
□	FIRE PROOF CARBON FILM RESISTOR
□	CEMENT MOLDED RESISTOR
□	SEMI VARIABLE RESISTOR
□	CHIP RESISTOR

CAPACITOR

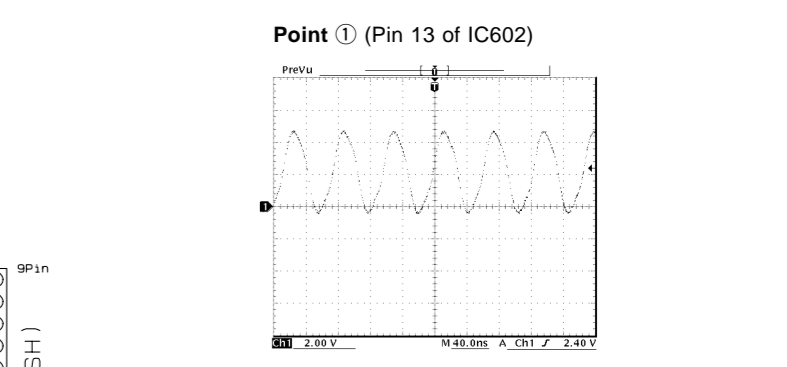
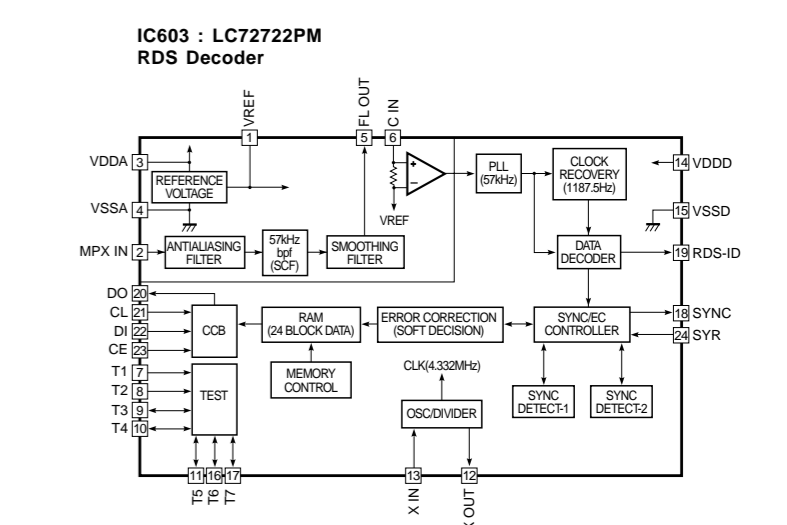
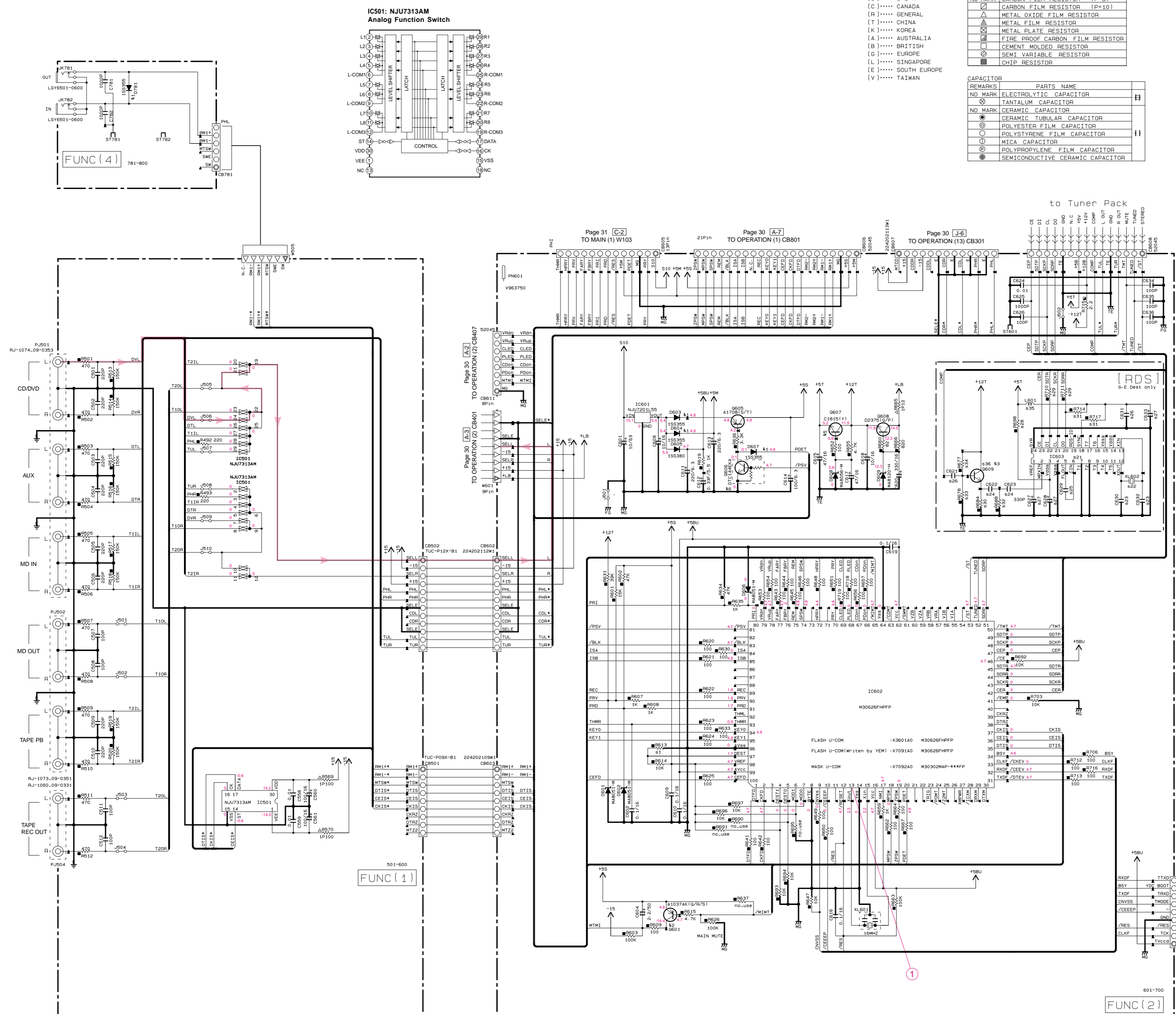
REMARKS	PARTS NAME
NO MARK	ELECTROLYTIC CAPACITOR
□	TANTALUM CAPACITOR
NO MARK	CERAMIC CAPACITOR
○	CERAMIC TUBULAR CAPACITOR
○	POLYESTER FILM CAPACITOR
○	POLYSTYRENE FILM CAPACITOR
○	MICA CAPACITOR
○	POLYPROPYLENE FILM CAPACITOR
○	SEMICONDUCTIVE CERAMIC CAPACITOR

Destination Part List

Part No.	LOC	UC	RL	A	GE
81	R613	R035733	R035766	R035812	X
82	IC603	X	X	X	X098240 LC7225PM
83	XL602	X	X	X	V392090 4.33MHz
84	C632	X	X	X	US06127 27PF
85	C630	X	X	X	US06233 33PF
86	C629	X	X	X	US06256 560P
87	C621	X	X	X	US13910 0.1/16
88	C628	X	X	X	UR83747 47/16
89	C627	X	X	X	US06256 560P
90	C623	X	X	X	US13910 0.1/16
91	R698	X	X	X	R035510 100
92	R710	X	X	X	R035547 470
93	R711	X	X	X	R035547 470
94	R684	X	X	X	R035533 3.3K
95	R714	X	X	X	R035710 10K
96	R717	X	X	X	R035710 10K
97	R688	X	X	X	R039722 52K
98	R678	X	X	X	R035733 33K
99	R677	X	X	X	R035810 100K
100	L601	X	X	X	VU88950 220uH
101	G609	X	X	X	IC17402 C17405(R/S)

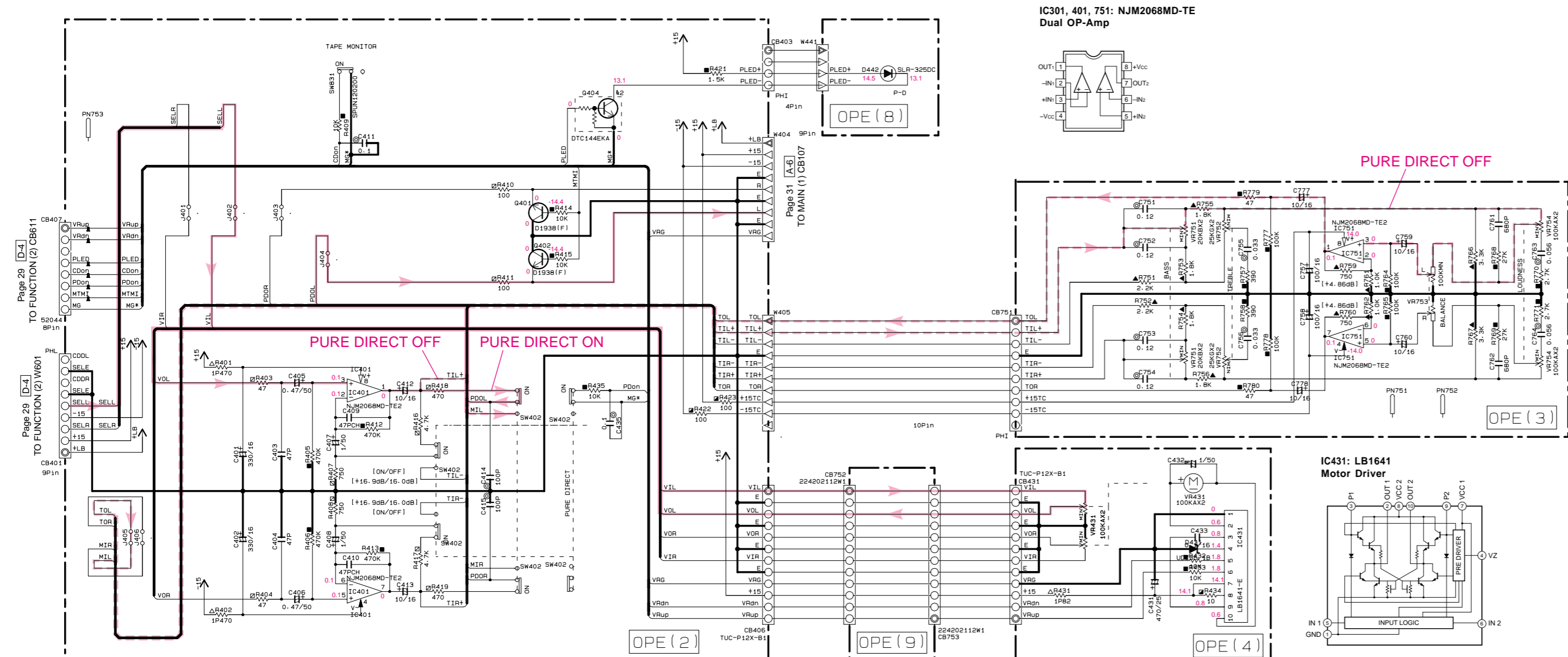
Interchangeable Parts at Manufacture-Stage

Mark	Reference Parts Number	Parts Name
1	D603-604-607	1S9395
2	D781	M4111
3	G601	2SA1037AK(Q/R/S)
4	G609	2SA1295A(E/F1)
5	G607	2SC17405I(S)
6	G606	2SC26031E(F1)
7		2SC3311A(Q/R/S)
8		2SC18151(Y)
9		KTC3198
10		DTC1446KA
11		KRC1045-RTK/P
12		
13		



\* All voltages are measured with a 10MΩ/V DC electronic volt meter.  
 \* Components having special characteristics are marked Δ, and must be replaced with parts having specifications equal to those originally installed.  
 \* Schematic diagram is subject to change without notice.

SCHEMATIC DIAGRAM (OPERATION)



RESISTOR		CAPACITOR	
REMARKS	PARTS NAME	REMARKS	PARTS NAME
NO MARK	CARBON FILM RESISTOR (P=5)	NO MARK	ELECTROLYTIC CAPACITOR
△	CARBON FILM RESISTOR (P=10)	⊗	TANTALUM CAPACITOR
▲	METAL OXIDE FILM RESISTOR	⊙	CERAMIC CAPACITOR
△	METAL FILM RESISTOR	⊖	CERAMIC TUBULAR CAPACITOR
▲	METAL PLATE RESISTOR	⊕	POLYESTER FILM CAPACITOR
⊠	FIRE PROOF CARBON FILM RESISTOR	⊖	POLYSTYRENE FILM CAPACITOR
⊡	CEMENT MOLDED RESISTOR	⊕	MICA CAPACITOR
⊞	SEMI VARIABLE RESISTOR	⊖	POLYPROPYLENE FILM CAPACITOR
■	CHIP RESISTOR	⊙	SEMICONDUCTIVE CERAMIC CAPACITOR

NOTICE (model)

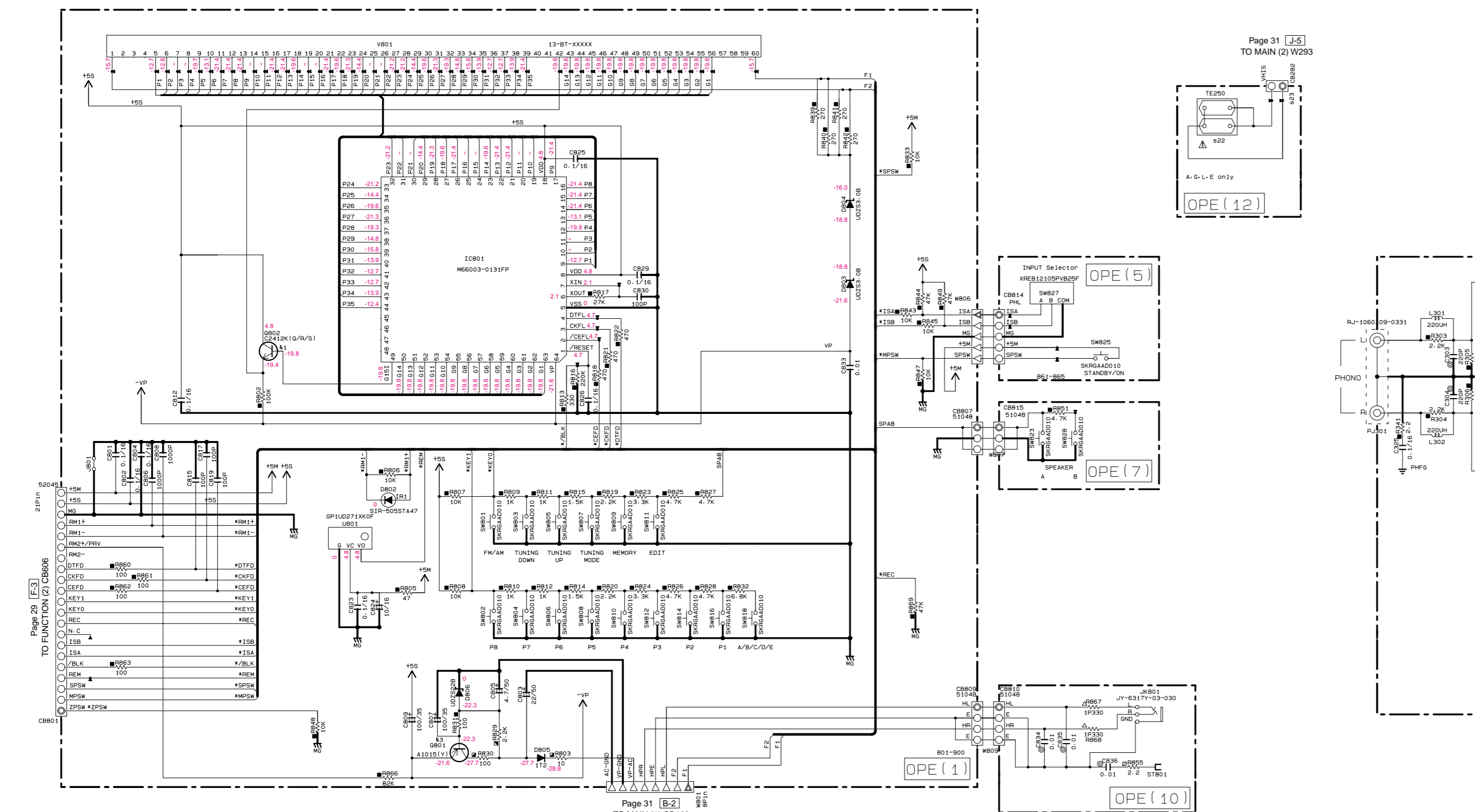
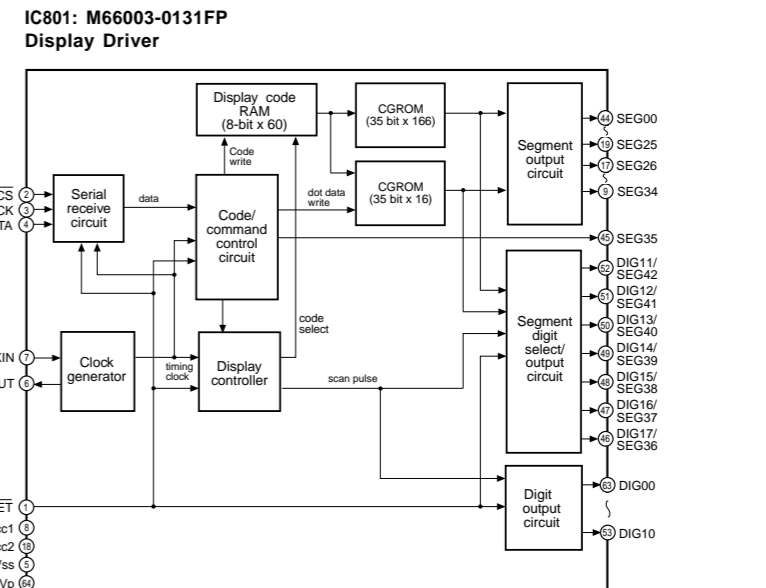
(J)..... JAPAN  
 (U)..... U.S.A  
 (C)..... CANADA  
 (R)..... GENERAL  
 (T)..... CHINA  
 (K)..... KOREA  
 (A)..... AUSTRALIA  
 (B)..... BRITISH  
 (G)..... EUROPE  
 (L)..... SINGAPORE  
 (E)..... SOUTH EUROPE  
 (V)..... TAIWAN

Interchangeable Parts at Manufacture-Stage

Mark	Reference Parts Number	Parts Name
△1	0802	2SC2412K (I/R/S) 2SD0601AR (A/R/S) (I/R/S)
△2	0404	DTC144EKA KRC1045-RTK/P
△3	0801	2SA1015(Y) KTA1266

Destination Part List

SXX	LOC	UCR	A	GLE
920	TE250	X	V91500 S2-7731-210	VU54340 S2-7521-214
923	CB282	X	V687990 VW15	V687990 VW15



\* All voltages are measured with a 10MΩ/V DC electronic volt meter.  
 \* Components having special characteristics are marked △ and must be replaced with parts having specifications equal to those originally installed.  
 \* Schematic diagram is subject to change without notice.

SCHEMATIC DIAGRAM (MAIN)

NOTICE [mode1]
(J)..... JAPAN
(U)..... U. S. A
(C)..... CANADA
(R)..... GENERAL
(T)..... CHINA
(K)..... KOREA
(A)..... AUSTRALIA
(B)..... BRITISH
(G)..... EUROPE
(L)..... SINGAPORE
(E)..... SOUTH EUROPE
(V)..... TAIWAN

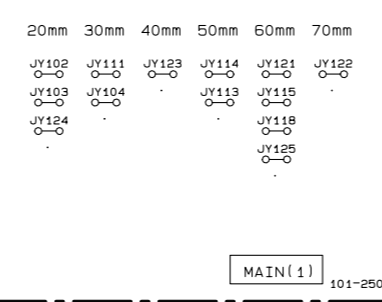
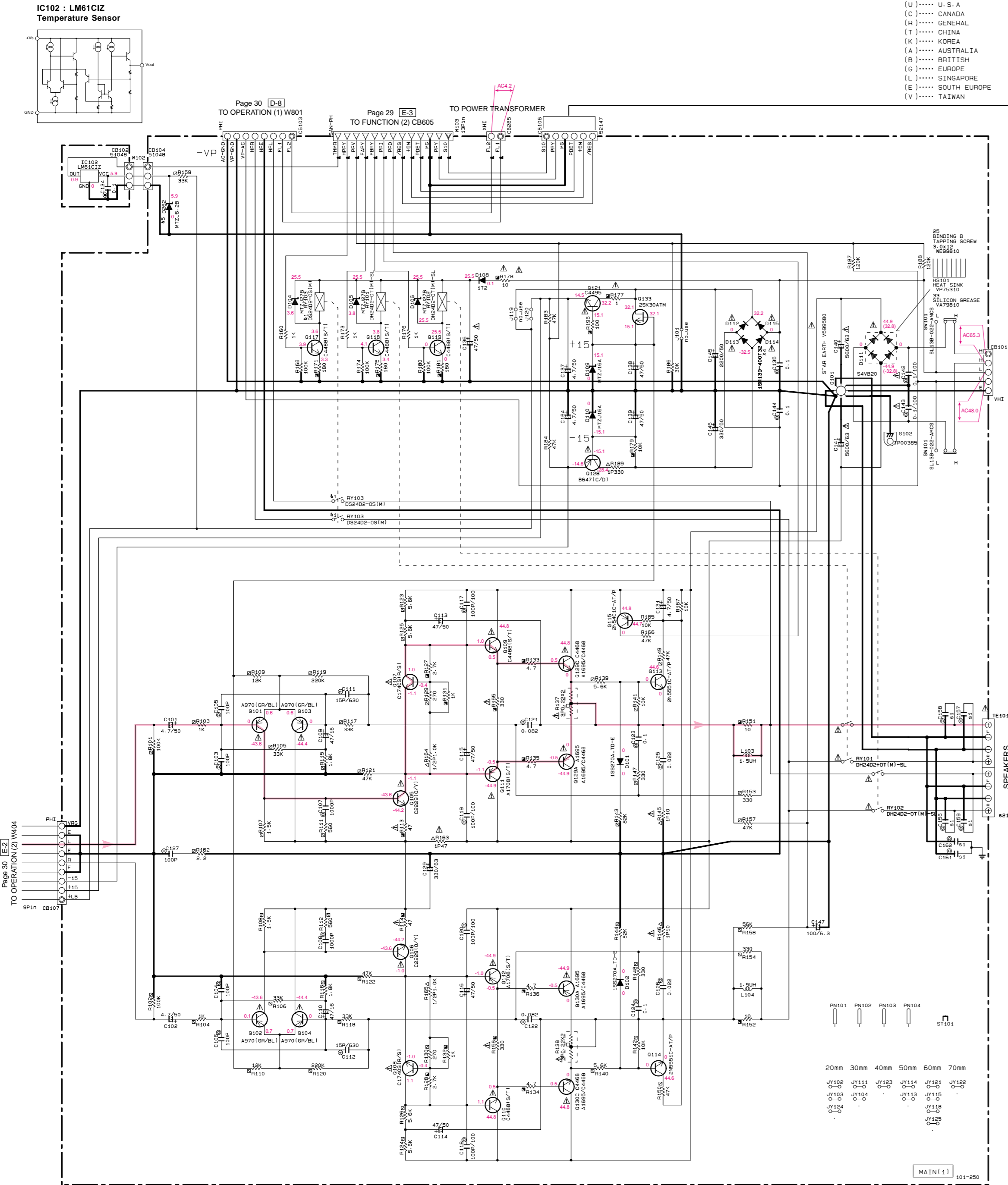
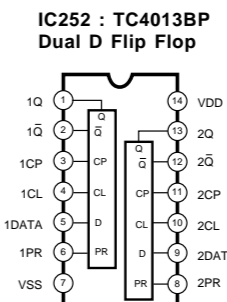
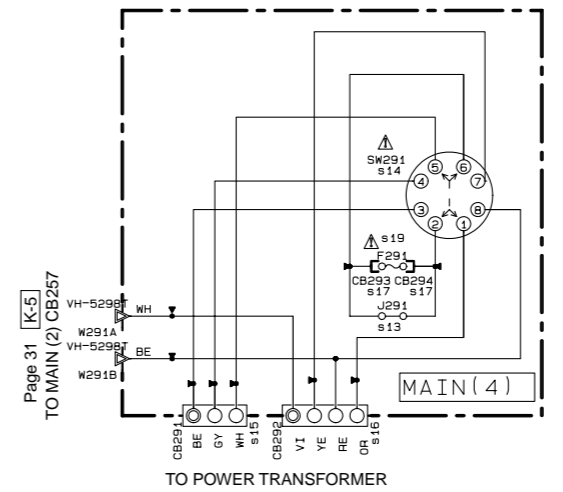
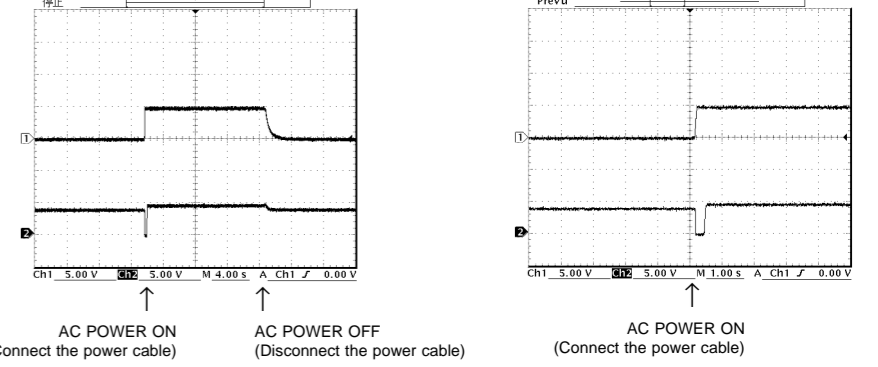
Table with 2 columns: REMARKS, PARTS NAME. Lists various resistor types like CARBON FILM RESISTOR, METAL OXIDE FILM RESISTOR, etc.

Table with 7 columns: Reference No, U-C, R, A, B, G-E, L. Lists component values and specifications for various parts.

Table with 2 columns: REMARKS, PARTS NAME. Lists various capacitor types like ELECTROLYTIC CAPACITOR, TANTALUM CAPACITOR, etc.

Table with 2 columns: Mark, Reference Parts Number, Parts Name. Lists interchangeable parts for components like resistors and capacitors.

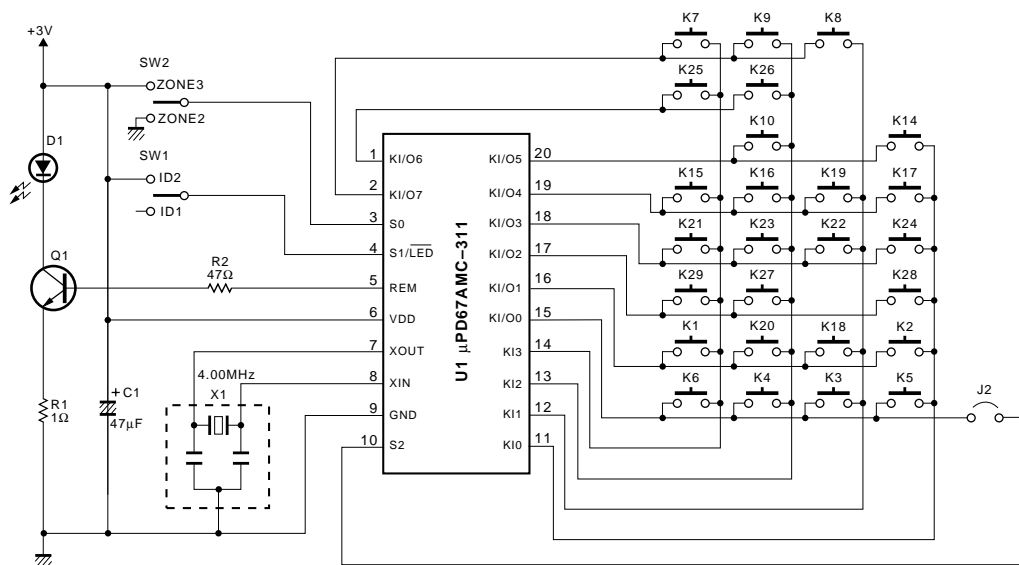
Point ②
CH 1 : (+) of C252
CH 2 : Collector of Q251



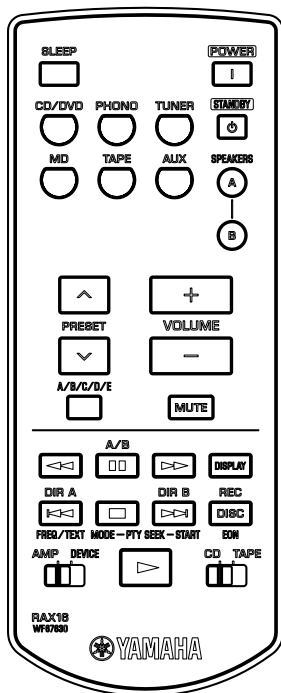
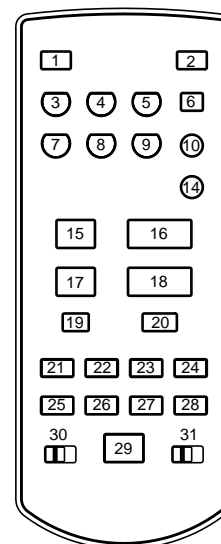
\* All voltages are measured with a 10MΩ/V DC electronic volt meter.
\* Components having special characteristics are marked Δ and must be replaced with parts having specifications equal to those originally installed.
\* Schematic diagram is subject to change without notice.

# REMOTE CONTROL RAX16

## ■ SCHEMATIC DIAGRAM



## KEY NO. LAYOUT



YAMAHA RAX16 IR CODE TABLE

Key No.	Key Name	Code (ID2)			
		AMP (RDS)	CD	DEVICE	
1	SLEEP		7D-93		
2	POWER		7D-B2		
3	CD/DVD		7D-87		
4	PHONO		7D-88		
5	TUNER		7D-89		
6	STANDBY		7D-B1		
7	MD		7D-86		
8	TAPE		7D-8B		
9	AUX		7D-8A		
10	SPEAKERS-A		7D-E7		
11	(no key)		(no code)		
12	(no key)		(no code)		
13	(no key)		(no code)		
14	SPEAKERS-B		7D-E8		
15	PRESET (+)		7D-F5		
16	VOLUME (+)		7D-8D		
17	PRESET (-)		7D-F6		
18	VOLUME (-)		7D-8E		
19	A/B/C/D/E		7D-F7		
20	MUTE		7D-94		
21	Device	(no code)	REW	7A-0D	REW 7A-01
22	Device	(no code)	PAUSE	7A-09	A/B 7A-06
23	Device	(no code)	FF	7A-0C	FF 7A-02
24	Device	(no code)	DISPLAY	79-0A	(no code)
25	Device	FREQ/TEXT	7D-23	SKIP (-)	7A-0B DIR A 7A-07
26	Device	MODE-PTY	7D-25	STOP	7A-09 STOP 7A-03
27	Device	SEEK-START	7D-26	SKIP (+)	7A-0A DIR B 7A-40
28	Device	EON	7D-24	DISC SKIP	7A-4F REC 7A-04
29	Device	(no code)	PLAY	7A-08	PLAY 7A-00
30	AMP/DEVICE				
31	CD/TAPE				